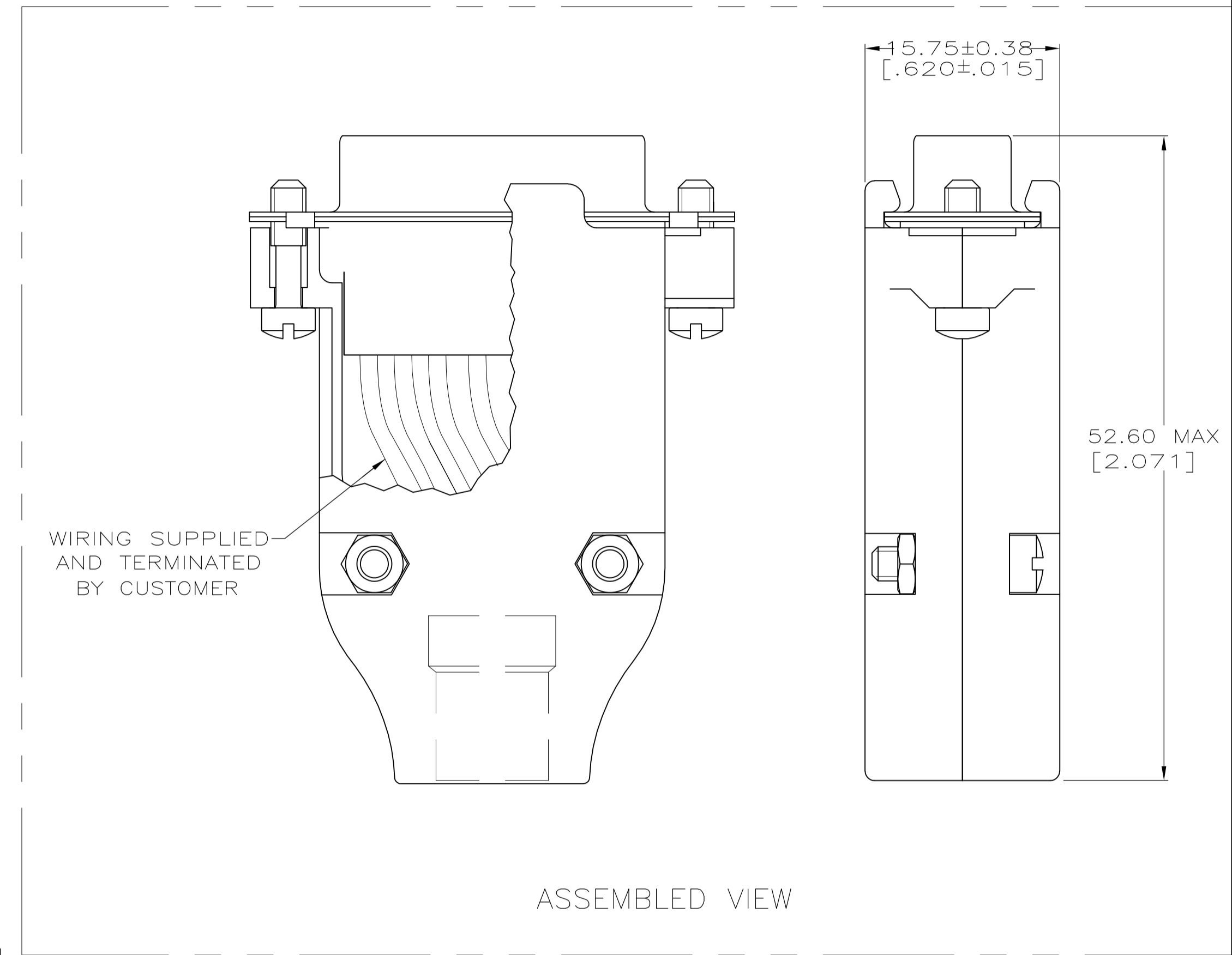
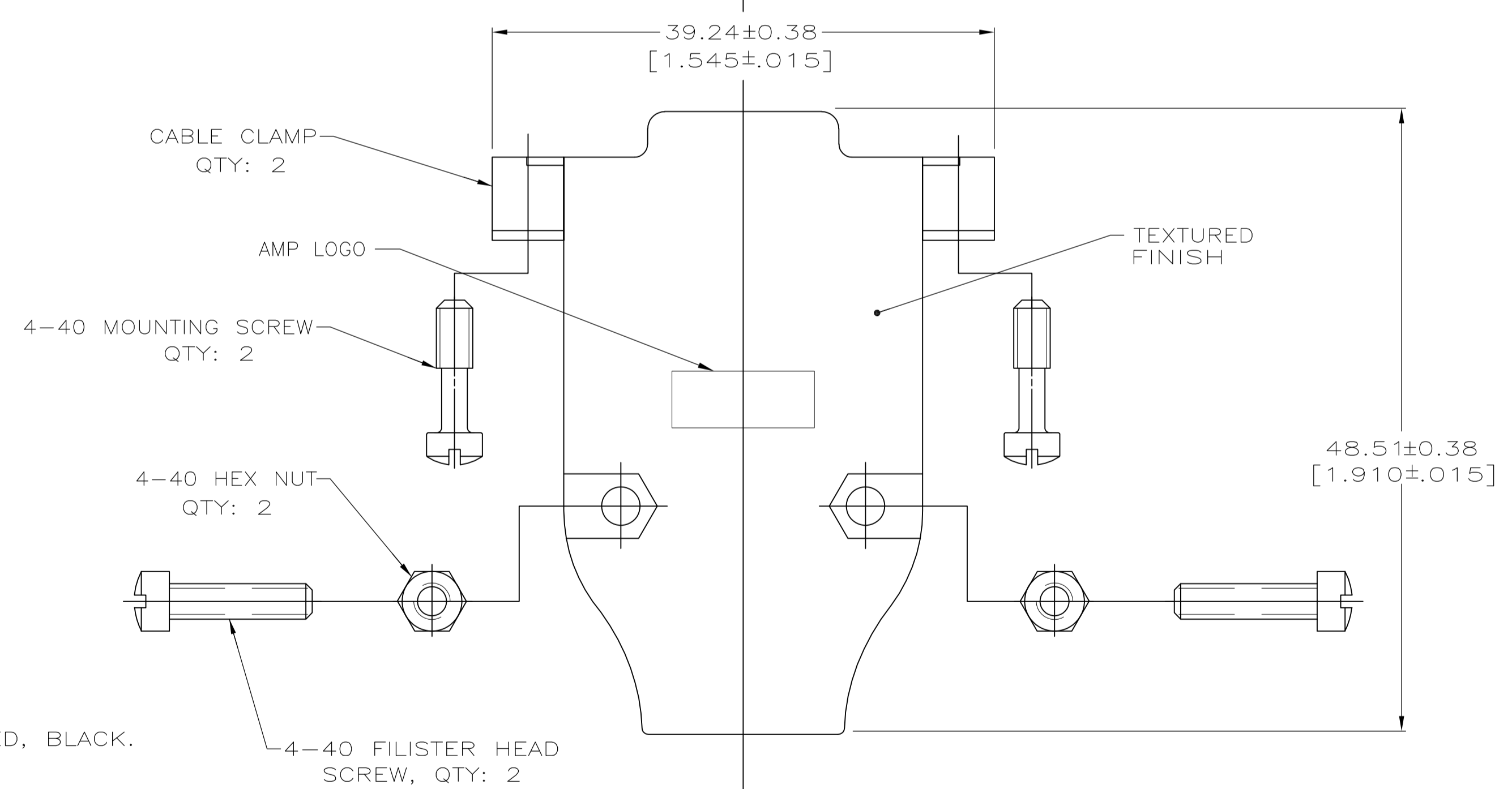
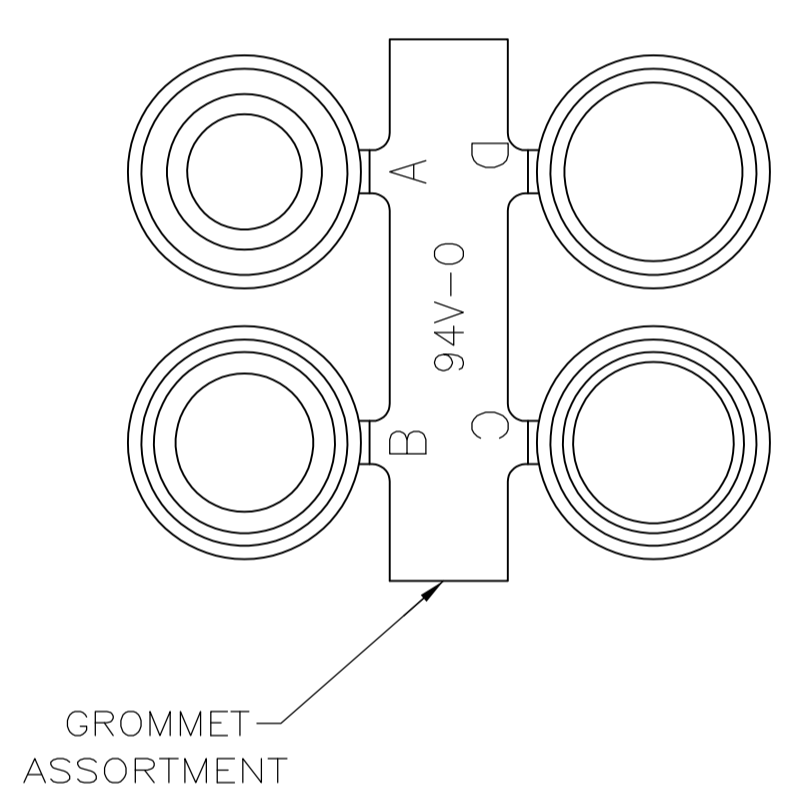
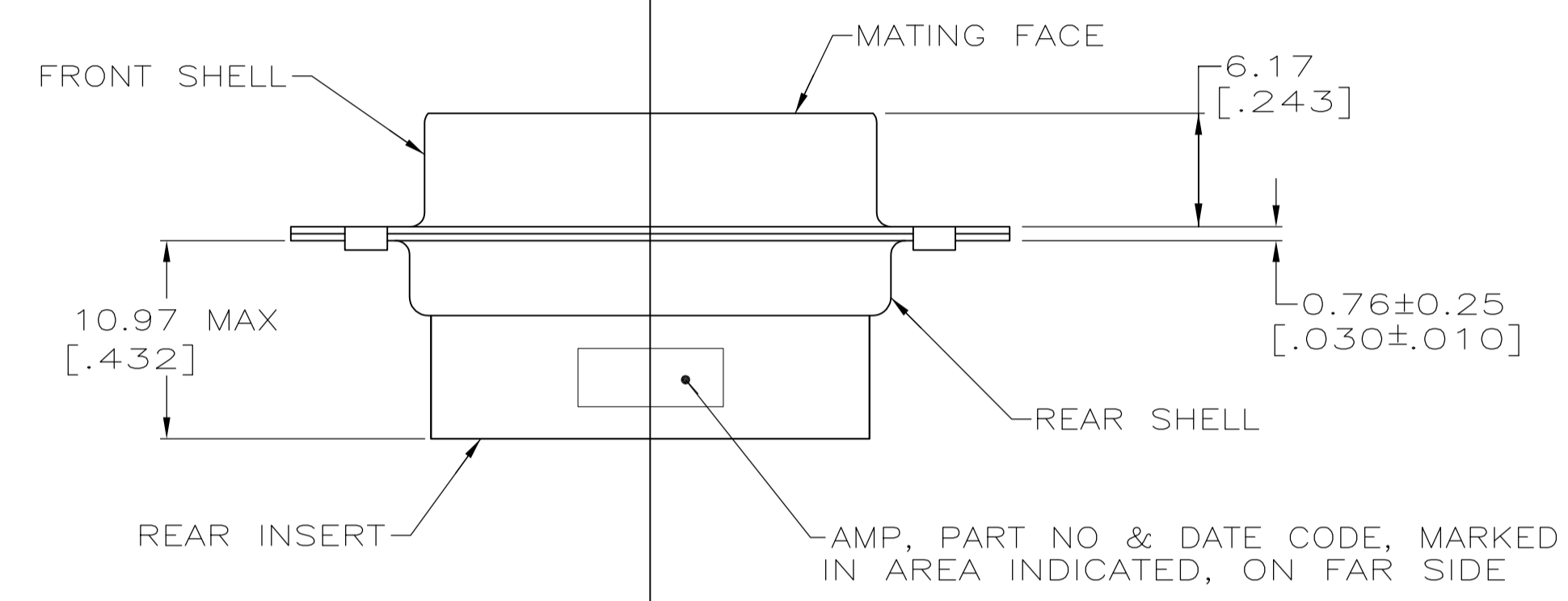
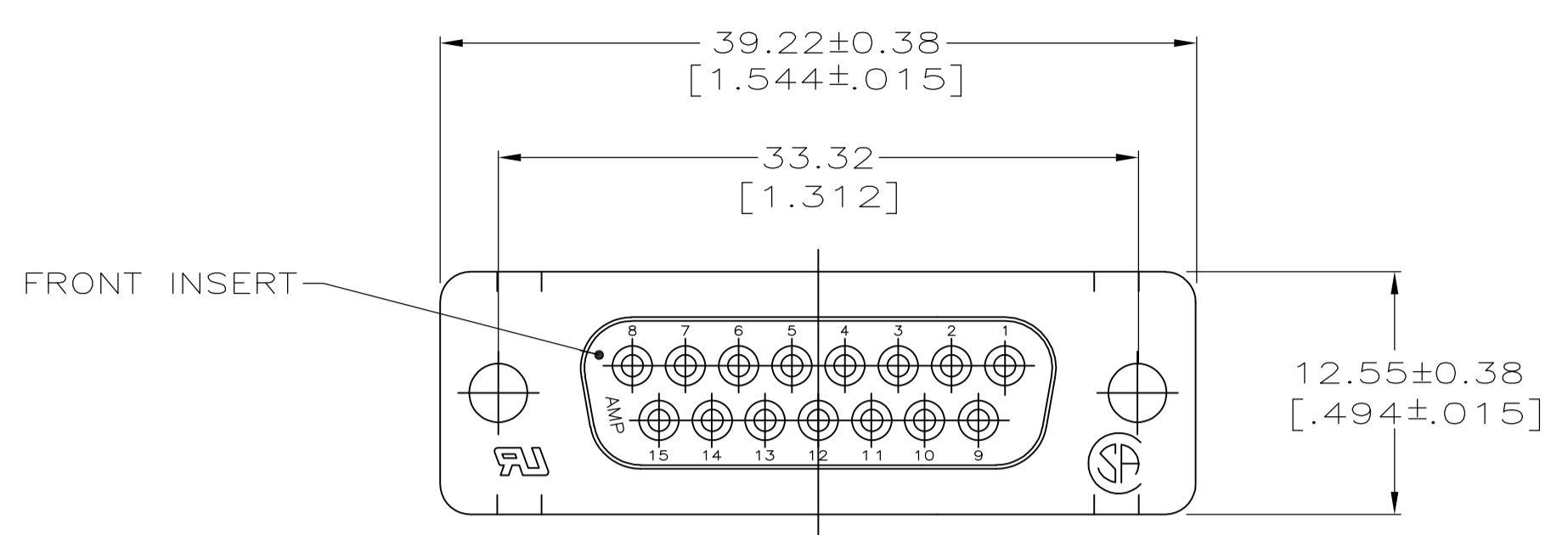
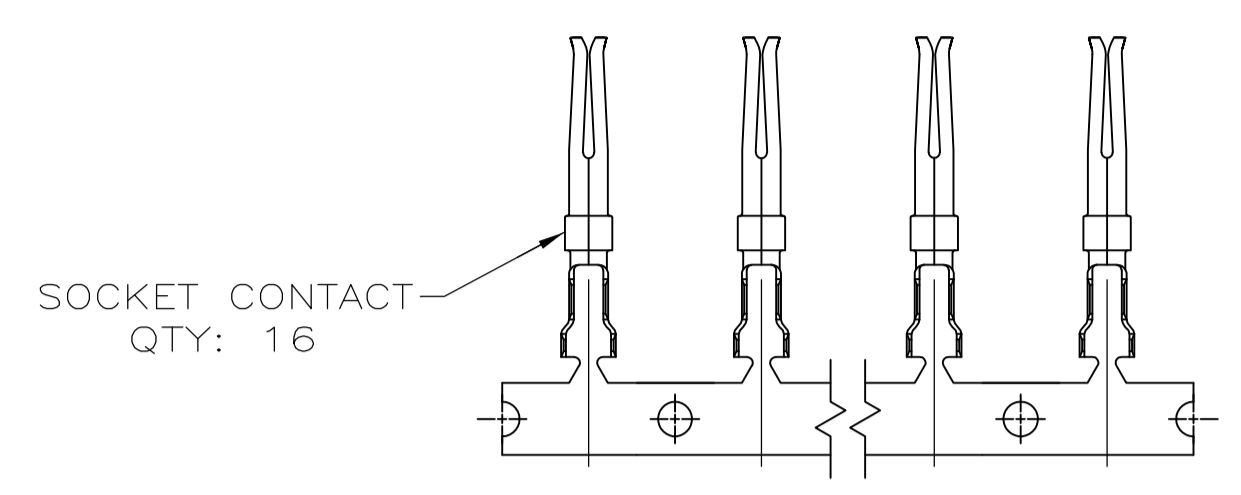
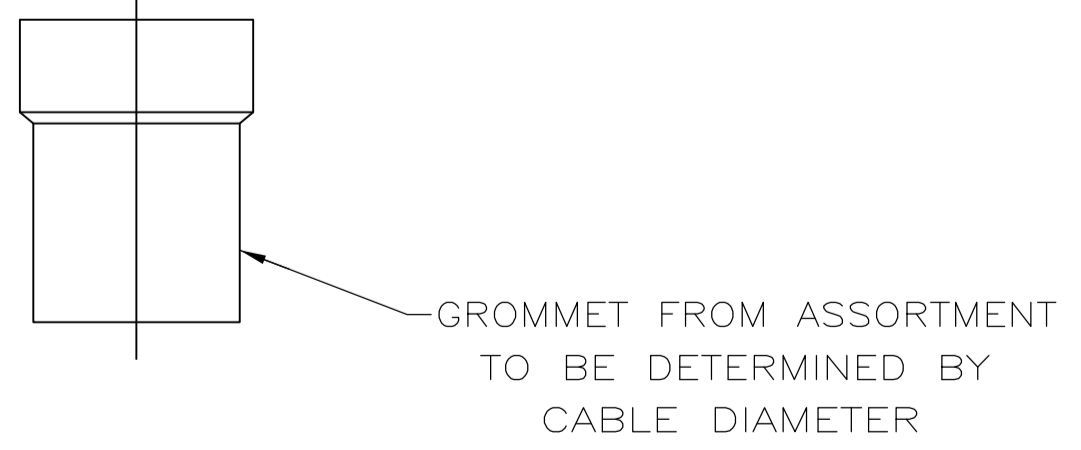


LOC		DIST		REVISIONS			
F	LTR	DESCRIPTION	DATE	DMN	APVD		
B		REVISED PER ECO-08-004975	3MAR08	JDP	CWR		



1. CONTACTS ACCEPT 24-20 AWG RANGE.
2. INSERTS: NYLON, GLASS FILLED, UL 94V-0 RATED, BLACK.
3. GROMMETS: PVC, UL 94V-0 RATED, BLACK.
4. CONTACTS: PHOSPHOR BRONZE.
5. SHELL: CARBON STEEL.
6. CABLE CLAMPS: ZINC; SCREWS & NUTS: CARBON STEEL.
7. CONTACTS: GOLD FLASH FOR A LENGTH OF 2.54[.100] MIN FROM MATING END, 2.54µm[.000100] MIN TIN ON OPPOSITE END FOR A LENGTH OF 4.06 [.160] MIN FROM END OF INSULATION BARREL, BOTH OVER 0.76µm[.000030] MIN NICKEL ON ENTIRE CONTACT.
8. SHELLS: 5.08µm[.000200] MIN TIN OVER 2.54µm[.000100] MIN COPPER.
9. MOUNTING SCREWS & NUTS: 3.81µm[.000150] MIN ZINC, CLEAR CHROMATE COATED. FILISTER HEAD SCREWS: ZINC, CLEAR CHROMATE COATED.
10. CABLE CLAMPS: NICKEL OVER COPPER.



749806-8
PART NO

THIS DRAWING IS A CONTROLLED DOCUMENT.		DIN J. REITZEL 1AUG03	Tyco Electronics Corporation Harrisburg, PA 17105-3608	
DIMENSIONS: mm [INCHES]		CHK S. BOLASH 1AUG03	NAME M. WAMSLEY 1AUG03	
TOLERANCES UNLESS OTHERWISE SPECIFIED:		PRODUCT SPEC 108-40005		
0. PLC ± -		APPLICATION SPEC 114-40030		
1. PLC ± ± 0.13[.005]		SIZE A1		
2. PLC ± ± ±		CAGE CODE 749806-8		
3. PLC ± ± ±		WEIGHT -		
4. PLC ± ± ±		CUSTOMER DRAWING		
MATERIAL 2 3 4 5 6		FINISH 7 8 9 10		
SCALE 2:1		SHEET 1 OF 1		